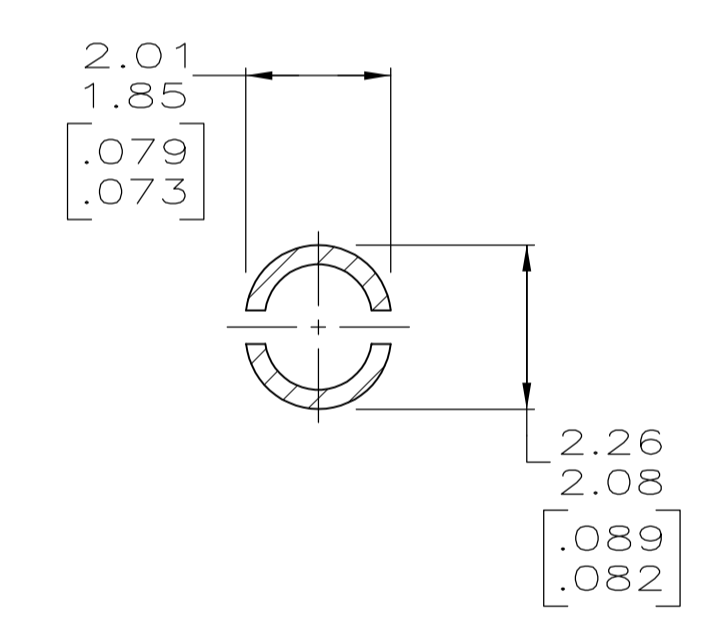
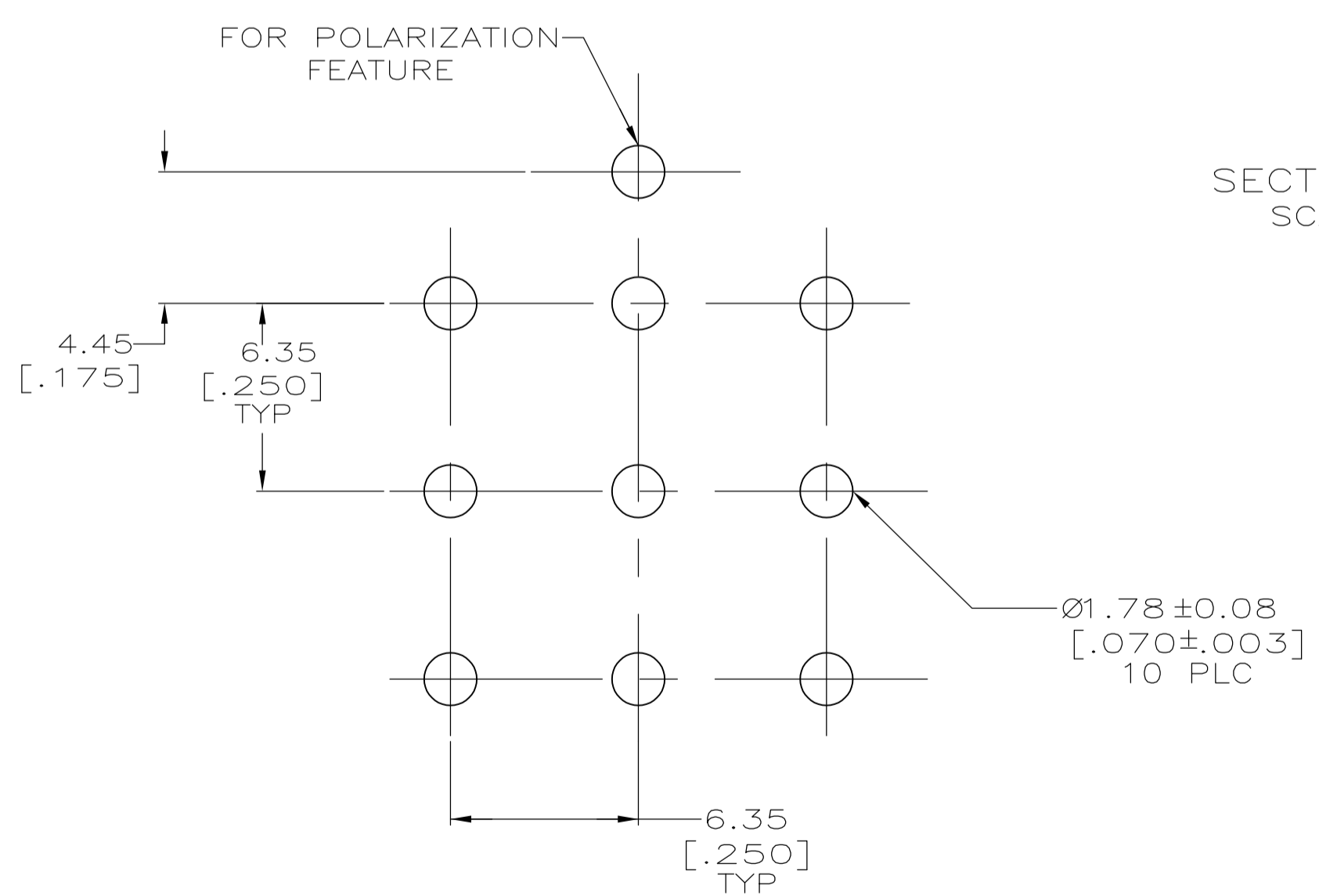
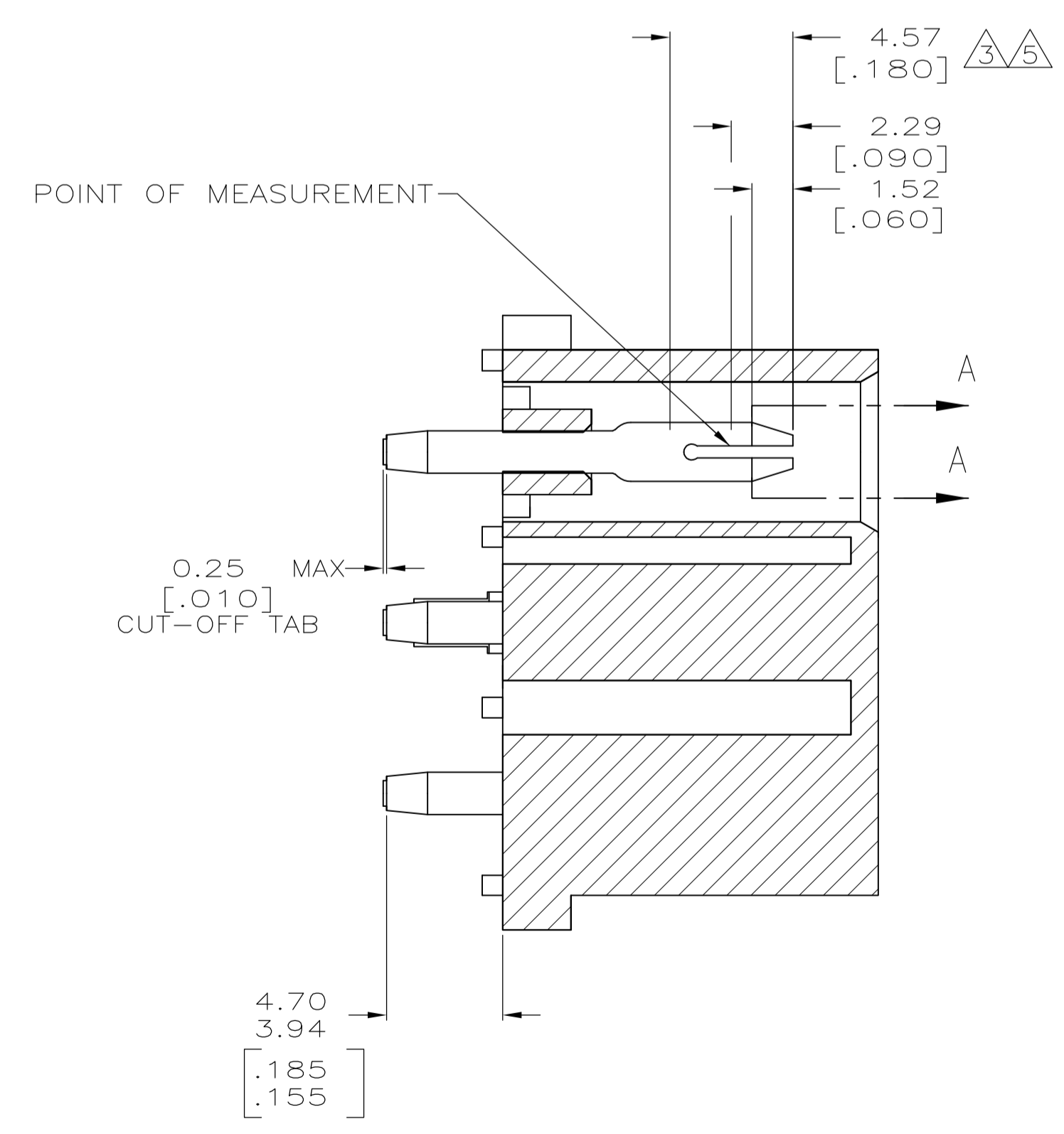
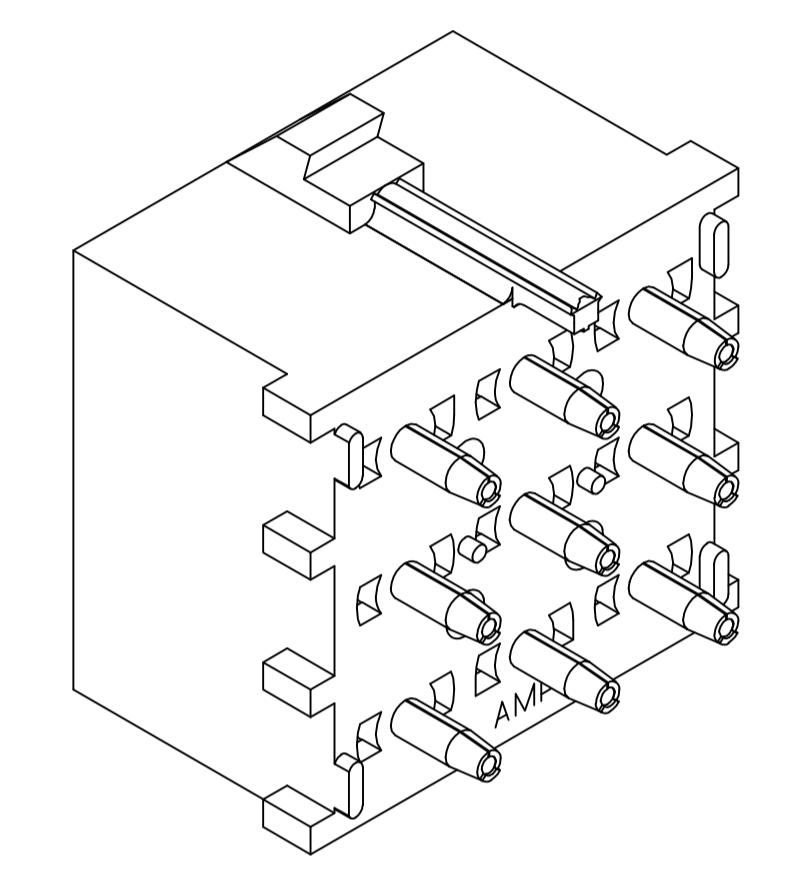
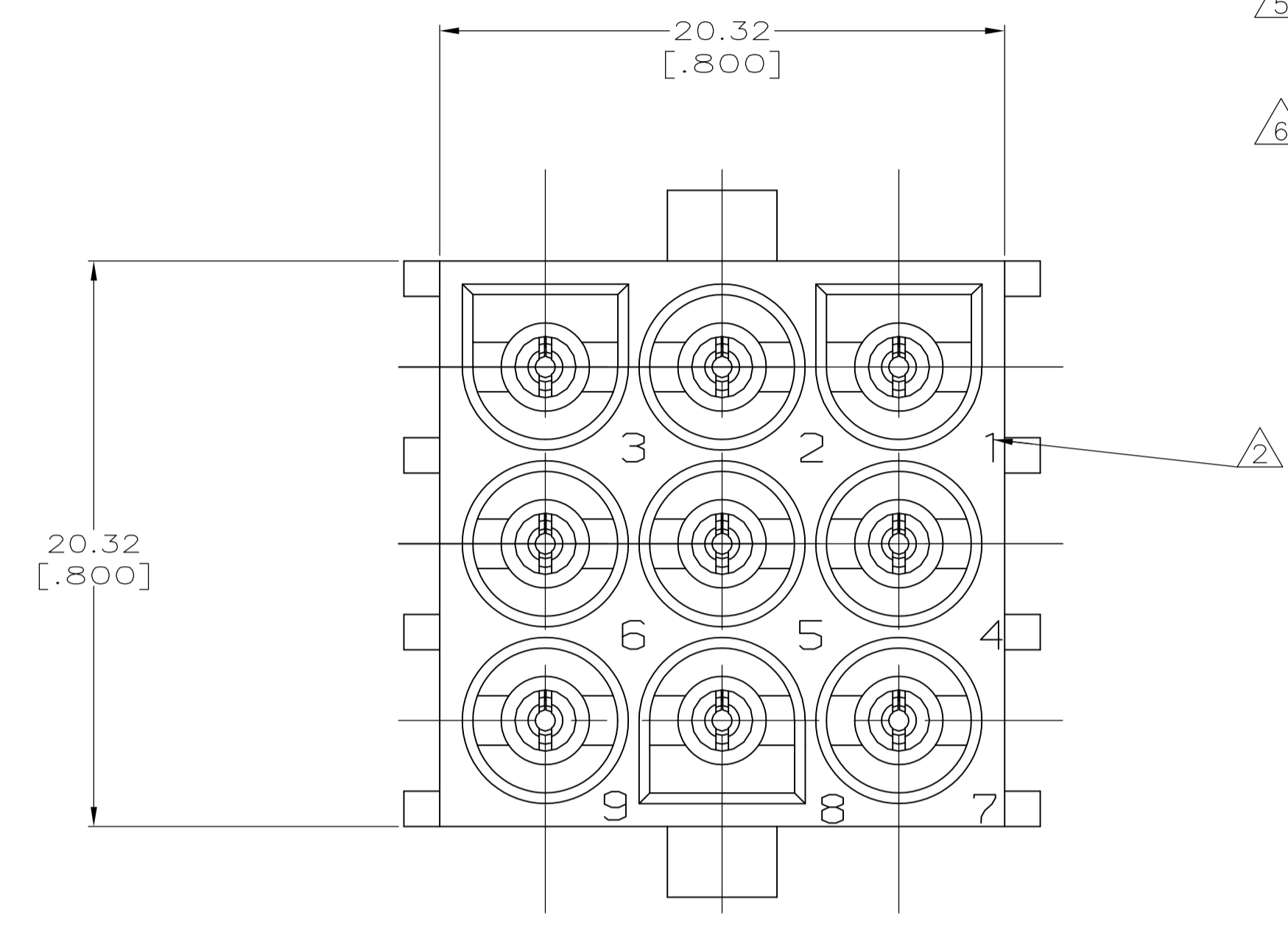
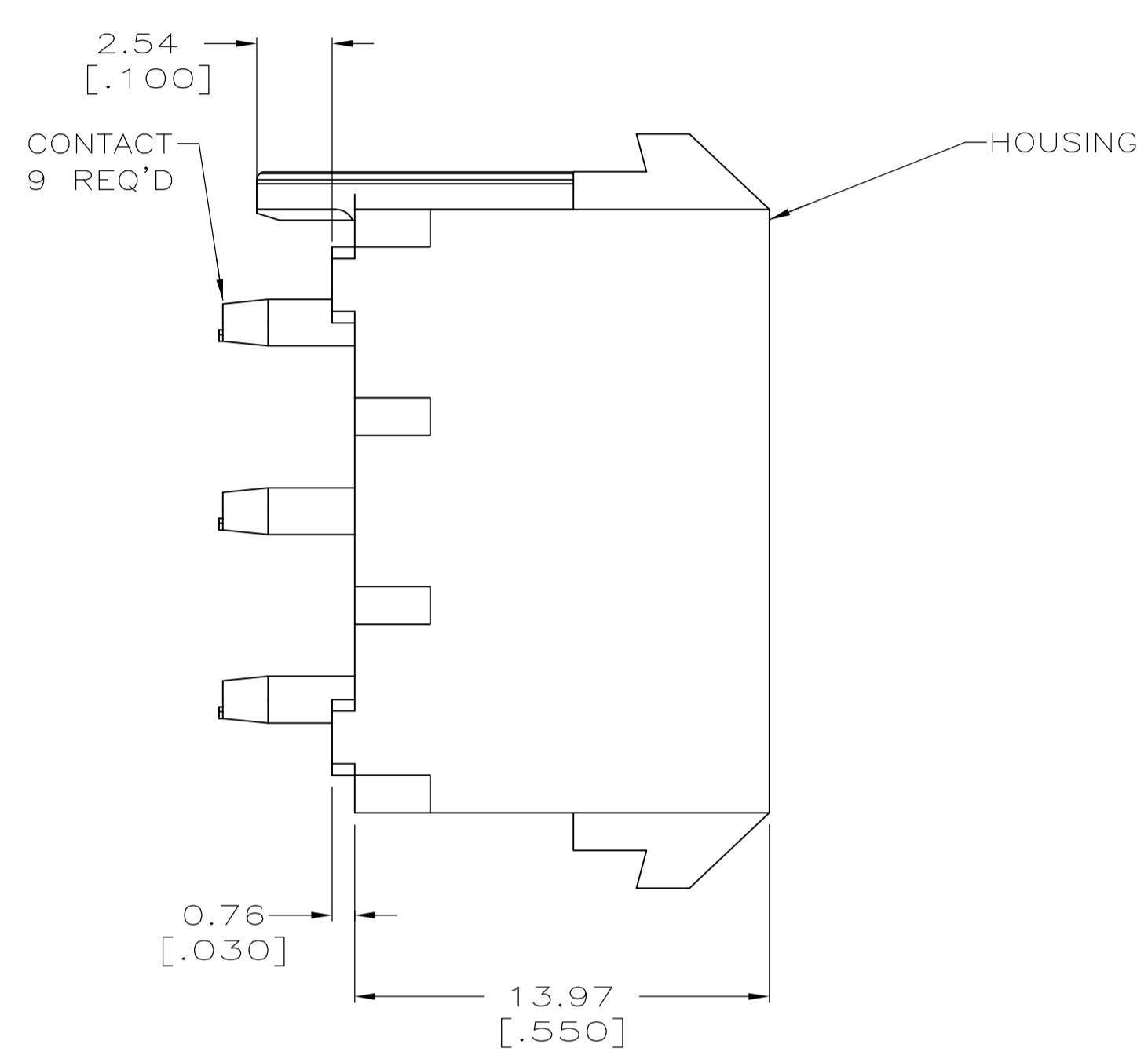
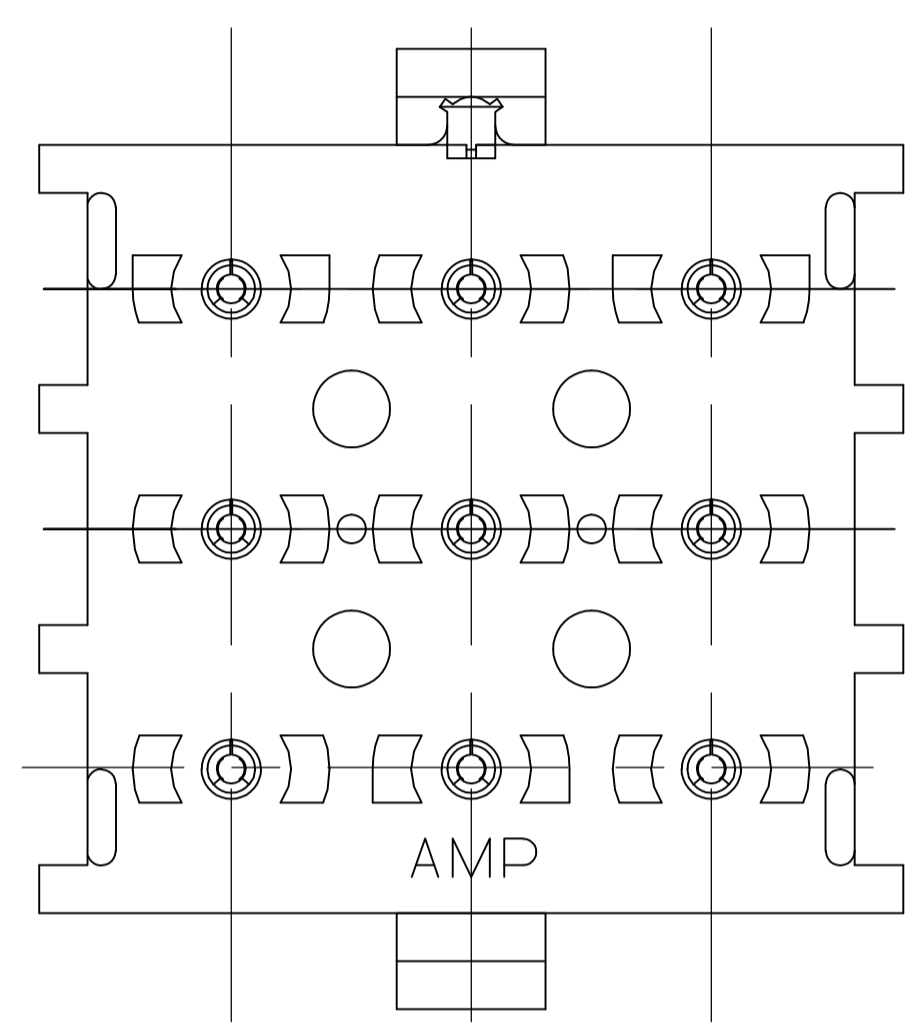


LOC		DIST		REVISIONS				
CM	00	REV	DATE	BY	CHK	APPV		
R2		REVISED PER ECR-12-011660	31JAN13	KH	TM			

- 1 PARTS COMPLY WITH AMP SOLDERABILITY SPECIFICATION 109-11-3.
- 2 CIRCUIT IDENTIFICATION CHARACTERS ARE ADJACENT TO THE INDICATED CAVITIES, BUT LOCATION AND ORIENTATION MAY DIFFER FROM PRINT.
- 3 CONTACT IS PLATED OVERALL WITH 0.00127 [.000050] NICKEL, THEN 0.00076 [.000030] GOLD OVER CONTACT LENGTH INDICATED AND MATTE TIN LEAD ON SOLDER TAIL END.
- 4 DIMENSIONS IN BRACKETS ARE IN INCHES.
- 5 CONTACT IS PLATED OVERALL WITH 0.00127 [.000050] NICKEL, THEN 0.00076 [.000030] GOLD OVER CONTACT LENGTH INDICATED AND MATTE TIN ON SOLDER TAIL END.
- 6 SUPERSEDED BY 641972-3



SECTION A-A
SCALE 10:1

RECOMMENDED MOUNTING HOLE PATTERN FOR 1.57 [.062] THICK P.C. BOARD

MATERIAL	FINISH	MATERIAL	COLOR	PART NO
PH BRZ	GOLD PLATED	NYLON, UL94V-0	WHITE	641972-3
PH BRZ	TIN PLATED	NYLON, UL94V-0	BLACK	1-641972-1
PH BRZ	GOLD PLATED	NYLON, UL94V-0	WHITE	641972-2
PH BRZ	TIN PLATED	NYLON, UL94V-0	WHITE	641972-1

THIS DRAWING IS A CONTROLLED DOCUMENT.		DIN 8-29-97		STE TE Connectivity	
DIMENSIONS: mm [INCHES]		TOLERANCES UNLESS OTHERWISE SPECIFIED:		NAME	
0 PLC ± -		1 PLC ± -		M TRULL	
2 PLC ± -		3 PLC ± 0.13 [.005]		PRODUCT SPEC	
4 PLC ± -		ANGLES ± -		APPLICATION SPEC	
MATERIAL SEE TABLE		FINISH SEE TABLE		WEIGHT	
				A1 00779 C=641972	
		CUSTOMER DRAWING		SCALE 5:1 SHEET 1 OF 1 REV R2	